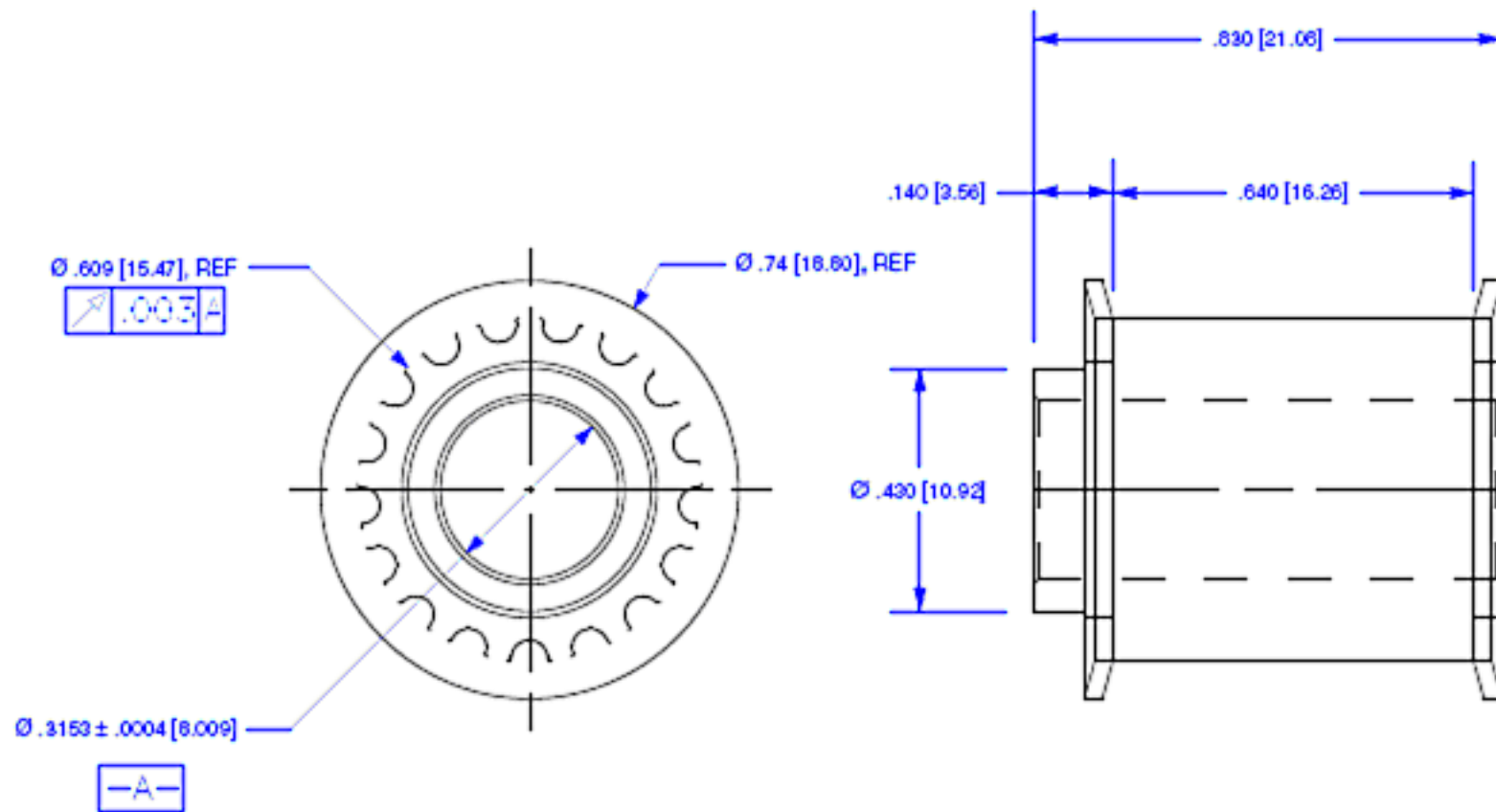


DWG. NO.	DESCRIPTION / CHANGE	DATE	REVISED BY:	ECN #
PL9235A	RELEASED FOR PRODUCTION	06-13-08	S.KIRCHNER	14317



**NOTES:**

1. MATERIAL: 6061 ALUMINUM
2. FINISH: CLEAR ANODIZE PER MIL-A-8625E, TYPE II, CLASS 1 HOT WATER SEAL ONLY.
3. PART TO BE FREE OF BURRS AND SHARP EDGES

DRAWN BY: S.KIRCHNER	DIMENSIONS IN IN [MM]	<b>CIRCULAR TECHNOLOGIES</b> 3275 Prairie Ave. Boulder, Colorado 80001  <b>17T, 3mmPGGT, PULLEY</b>		
CHECKED BY/ DATE:	TOLERANCES UNLESS NOTED .XX ± .01 .XXX ± .005 ANGLES ± 1°			
CHECKED BY/ DATE:	DO NOT SCALE DRAWING	THIS DRAWING IS THE PROPERTY OF CIRCULAR TECHNOLOGIES & IS CONFIDENTIAL		
ENGINEER: T. DALY		SHEET NO. 2 OF 2	ITEM NO. PL9235A	DATE: 06-13-08